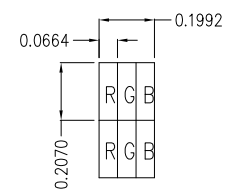
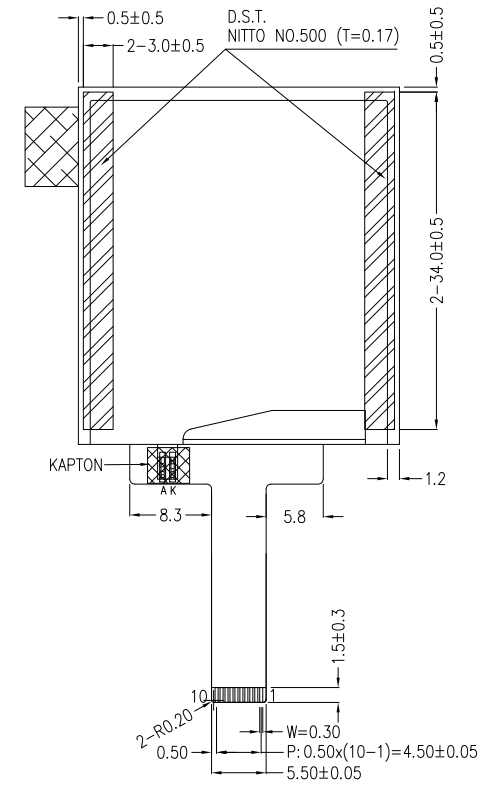
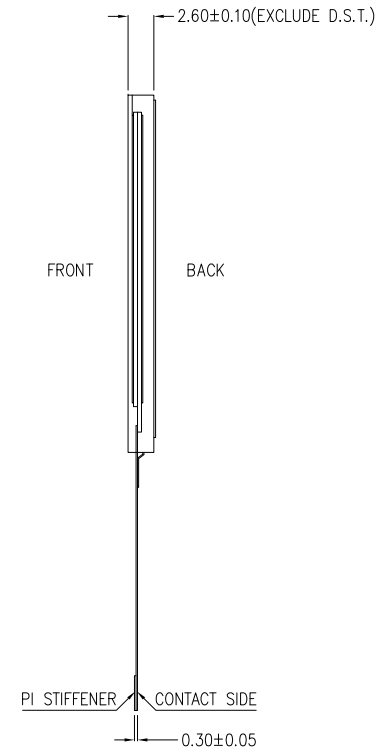
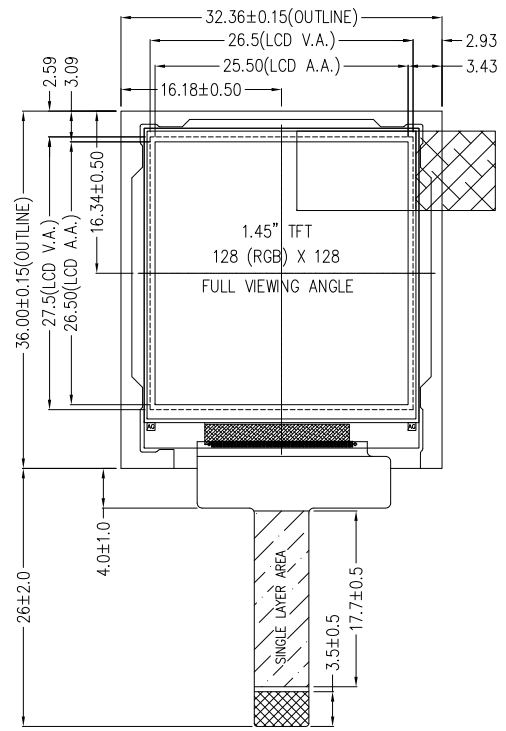
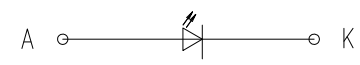


PIN ASSIGNMENT	
PIN	SYMBOL
1	A
2	K
3	SPI3W/SPI4W
4	VDD
5	VSS
6	/CS
7	RESET
8	SDA
9	SCL
10	RS



PIXEL DETAIL



BACKLIGHT CIRCUIT DIAGRAM

NOTES:

1. DISPLAY TYPE: TFT, TRANSMISSIVE, NORMALLY BLACK
2. OPERATING VOLTAGE: VDD=2.8V (TYP.)
3. VIEWING DIRECTION: FULL VIEWING ANGLE
4. DRIVER IC: ST7735V3
5. OPERATING TEMP.: -20°C ~ 70°C
6. STORAGE TEMP.: -30°C ~ 80°C
7. LED BACKLIGHT: WHITE LED, IF=20mA, VF=2.8V ~ 3.4V
8. SURFACE LUMINANCE: 260CD/M<sup>2</sup> (TYP.)
9. TOP POLARIZER SURFACE TREATMENT: GLARE
10. GENERAL TOLERANCE: ±0.2MM
11. ROHS COMPLIANT

<b>MULTI-INNO TECHNOLOGY CO., LTD.</b>			
DRAWN BY:	RITA	2023.10.31	SCALE : 1/1
CHECKED BY:			UNIT: mm
APPROVED BY:			MODULE P/N: MI0145F1T-2
VERSION NO:	01		DESCRIPTION: TFT MODULE

01	FIRST ISSUE	RITA	2023.10.31
VER.	REVISED DESCRIPTION	REVISER	DATE